

Instruction sheet

Large wall mounted lighted mirror

Kimball & Young Inc.
Model: 30000HW
For Household / Residential Use Only
Lamp type: MAX 24W Type 3U CFL x 2
E26

IMPORTANT SAFETY INSTRUCTIONS

When using an electrical furnishing, basic precautions should always be followed, including the following:

Read all instructions before using this furnishing.

DANGER

To reduce the risk of electric shock:

1. Always unplug this furnishing from the electrical outlet before cleaning.

WARNING

To reduce the risk of burns, fire, electric shock, or injury to persons:

1. Unplug from outlet before putting on or taking off parts.
2. Close supervision is necessary when this furnishing is used by, or near children, invalids, or disabled persons.
3. Use this furnishing only for its intended use as described in these instructions. Do not use attachments not recommended by the manufacturer.
4. Never operate this furnishing if it has a damaged cord or plug, if it is not working properly, if it has been dropped or damaged, or dropped into water. Return the furnishing to a service center for examination and repair.
5. Keep the cord away from heated surfaces.
6. Never operate the furnishing with the air openings blocked. Keep the air openings free of lint, hair, and the like.
7. Never drop or insert any object into any opening.
8. Do not use outdoors.
9. Do not operate where aerosol (spray) products are being used or where oxygen is being administered.
10. To disconnect, turn all controls to the off position, then remove plug from outlet.
11. WARNING: Risk of Electric Shock – Connect this furnishing to a properly grounded outlet only. See Grounding Instructions.



CONFORMS TO
UL STD. 962
Input: 120V~, 0.69A, 60Hz

SAVE THESE INSTRUCTIONS

1

This device complies with Part 18 of the FCC Rules

Warning: Changes or modifications to this unit not expressly approved by the party responsible for compliance could void the user's authority to operate the equipment.

NOTE: This equipment has been tested and found to comply with the limits for a Class B ISM equipment, pursuant to Part 18 of the FCC Rules. These limits are designed to provide reasonable protection against harmful interference in a residential installation. This equipment generates, uses, and can radiate radio frequency energy and, if not installed and used in accordance with the instructions, may cause harmful interference to radio communications. However, there is no guarantee that interference will not occur in a particular installation. If this equipment does cause harmful interference to radio or television reception, which can be determined by turning the equipment off and on, the user is encouraged to try to correct the interference by one or more of the following measures:

- Reorient or relocate the receiving antenna.
- Increase the separation between the equipment and receiver.
- Connect the equipment into an outlet on a circuit different from that to which the receiver is connected.
- Consult the dealer or an experienced radio TV technician for help.

“This product may cause interference to radio equipment and should not be installed near maritime safety communications equipment, ships at sea or other critical navigation or communications equipment operating between 0.45-30 MHz.”

Kimball & Young Inc.
Address : 6368 Clark Avenue, Dublin, CA 94568,
USA
Phone, Fax : 925.245.9220 (FAX) 925.245.9203



Part 18 Declaration of
Conformity (DoC) Logo

1109 Date code Label

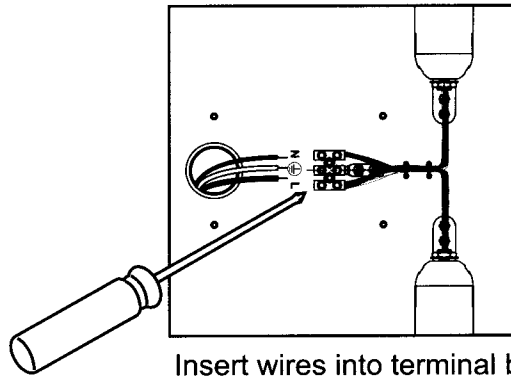
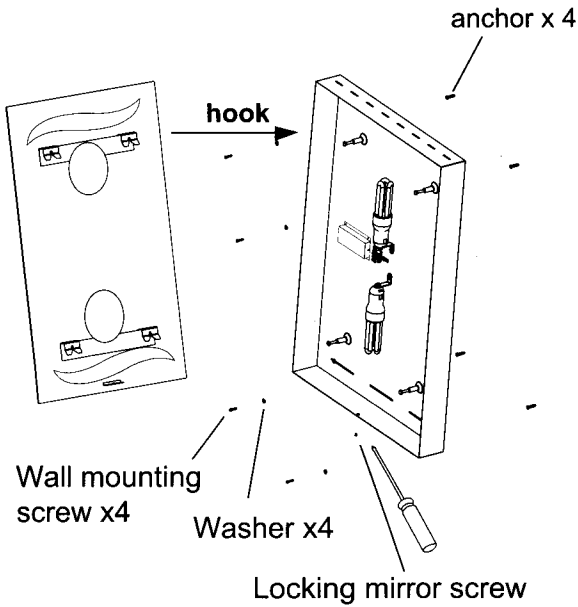
MM YY

Month Year

2

INSTALLATION INSTRUCTIONS

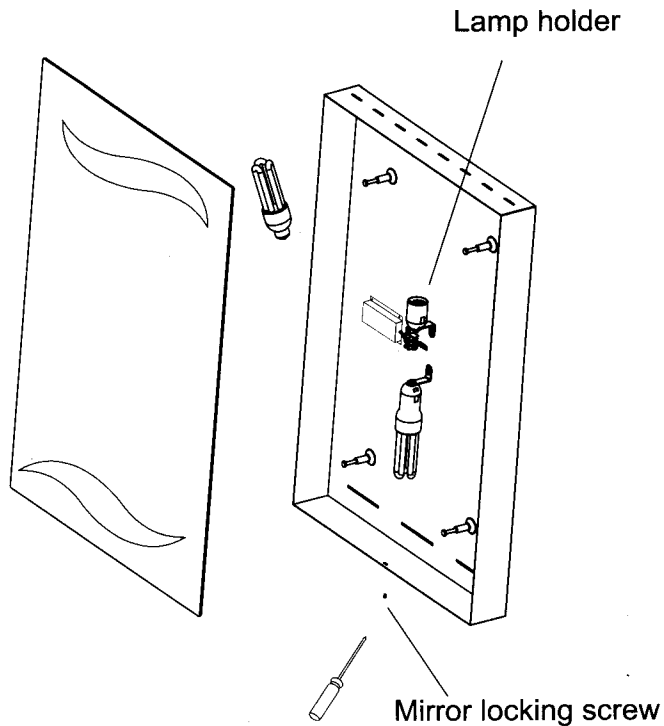
1. Mark the four mounting holes location.
2. Drill four holes and insert four wall anchors in holes.
3. Screw appliance onto wall, into the anchors.
4. Attach the mirror to the four hooks and use the locking mirror screw to screw the mirror at the bottom.



Insert wires into terminal block and using screw driver to secure the wires

Relamping

1. Unscrew the mirror locking screw and take the mirror out.
2. Place the lamp into the lamp holder.



CLEANING AND MAINTENANCE

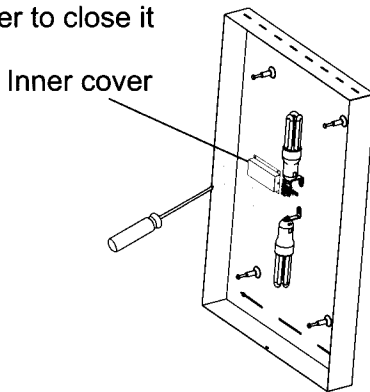
Always switch off first. Clean the outside of appliance with a damp cloth. Clean mirror surfaces with a glass cleaner. Do not light until you are certain mirror is completely dry to protect against electrical hazards.

GROUNDING INSTRUCTIONS

This product must be connected to a grounded metal, permanent wiring system, or an equipment-grounding conductor must be run with the circuit conductors and connected to the equipment-grounding terminal or lead on the product.

Wiring

1. Open the inner cover
2. Insert wires and using screw driver to secure the wires
3. Cover the Inner cover and using screw driver to close it



3

4

Made in China